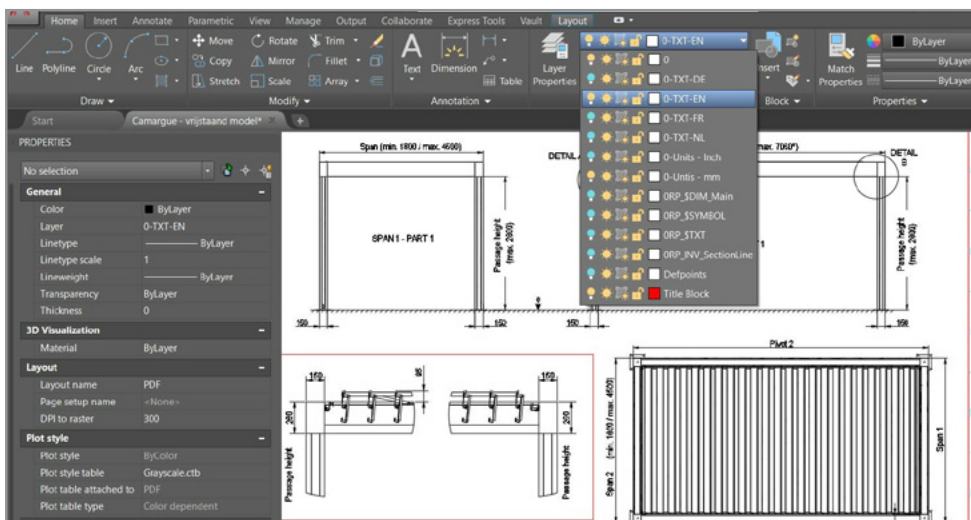
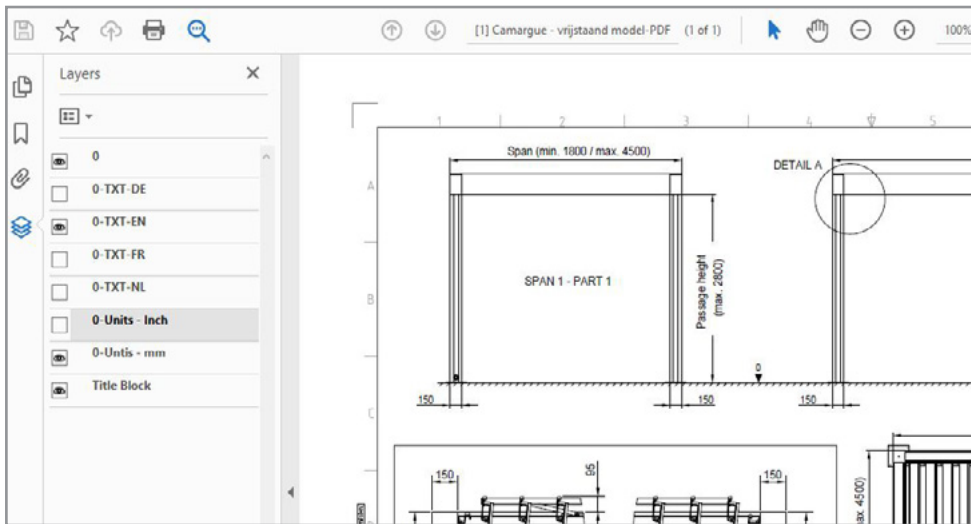


TECHNICAL DRAWINGS LAPURE



ABOUT THIS DOCUMENT

This interactive PDF offers all the Lapure technical drawings. On the next page you will find the index page with an overview of all available drawings. Click on the titles and you will be redirected to the correct page. When going through the drawings you'll find on the right bottom the Renson logo which leads you back to the index page. Next to that, each drawing has a link to download the PDF or DWG file.



HOW TO TURN ON/OFF LANGUAGES AND DIMENSION LAYERS

- in PDF viewer

When opening the pdf document, notice several layers are standing over each other. Go to the left side of the pdf and click on the tab called 'layers'. A menu will appear with the different language and dimension layers. Turn layers on and off by clicking on the eye-icon next to the name of the layer.

- in Autocad

Go to the 'layout' tab at the topbar. A menu will appear with the different layers. Turn layers on and off by clicking on the lightbulbs next to the name of the layer.

INDEX

Construction Lapure

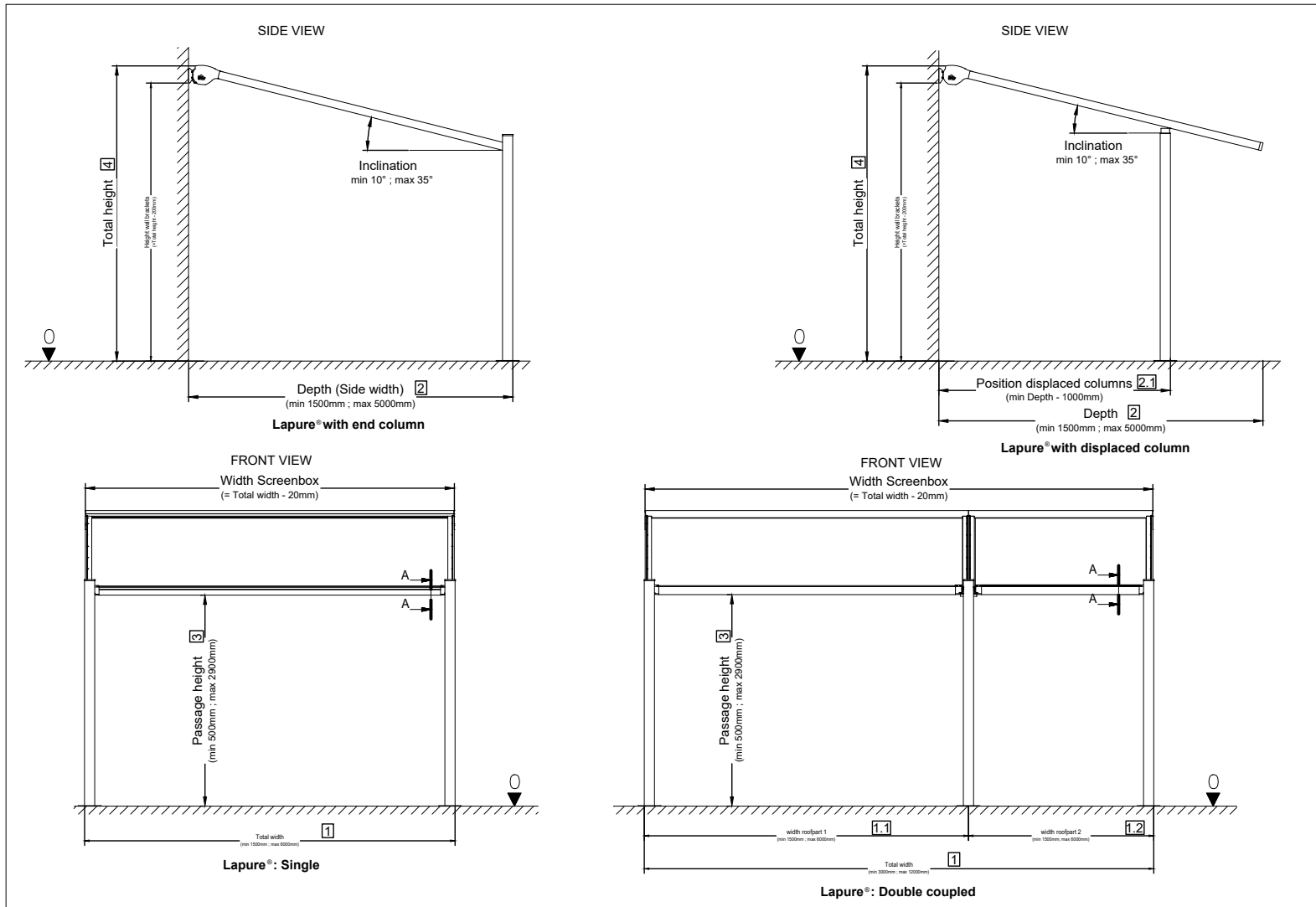
Dimensions

Coupled - dimensions

Mounting bases

Wall brackets

Lapure - DIMENSIONS (1)

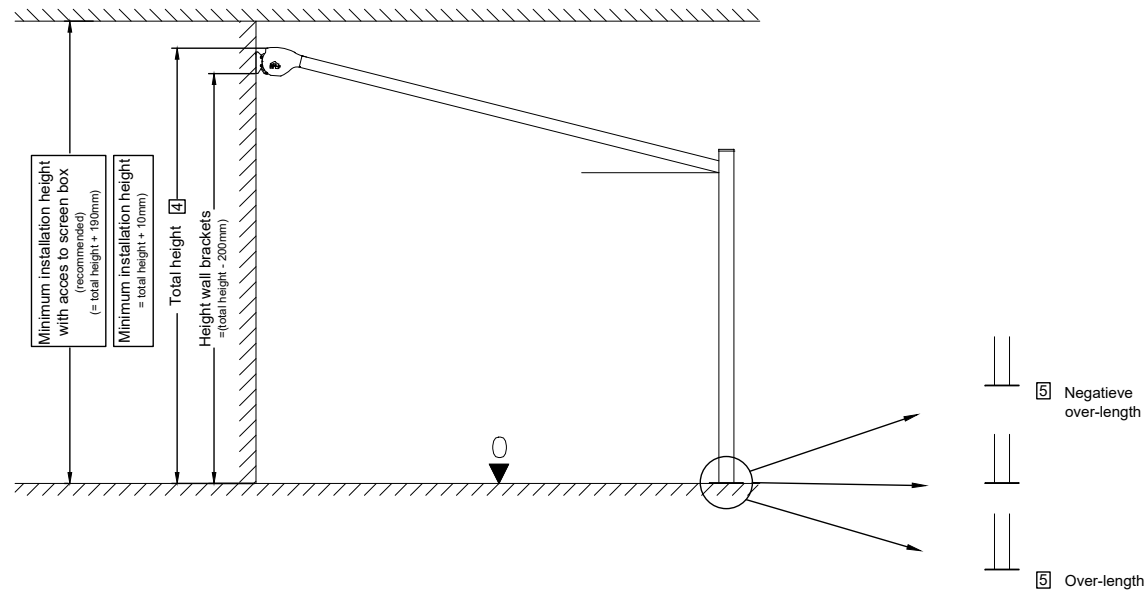


Download this drawing DWG

Download this drawing PDF

Lasure - DIMENSIONS (2)

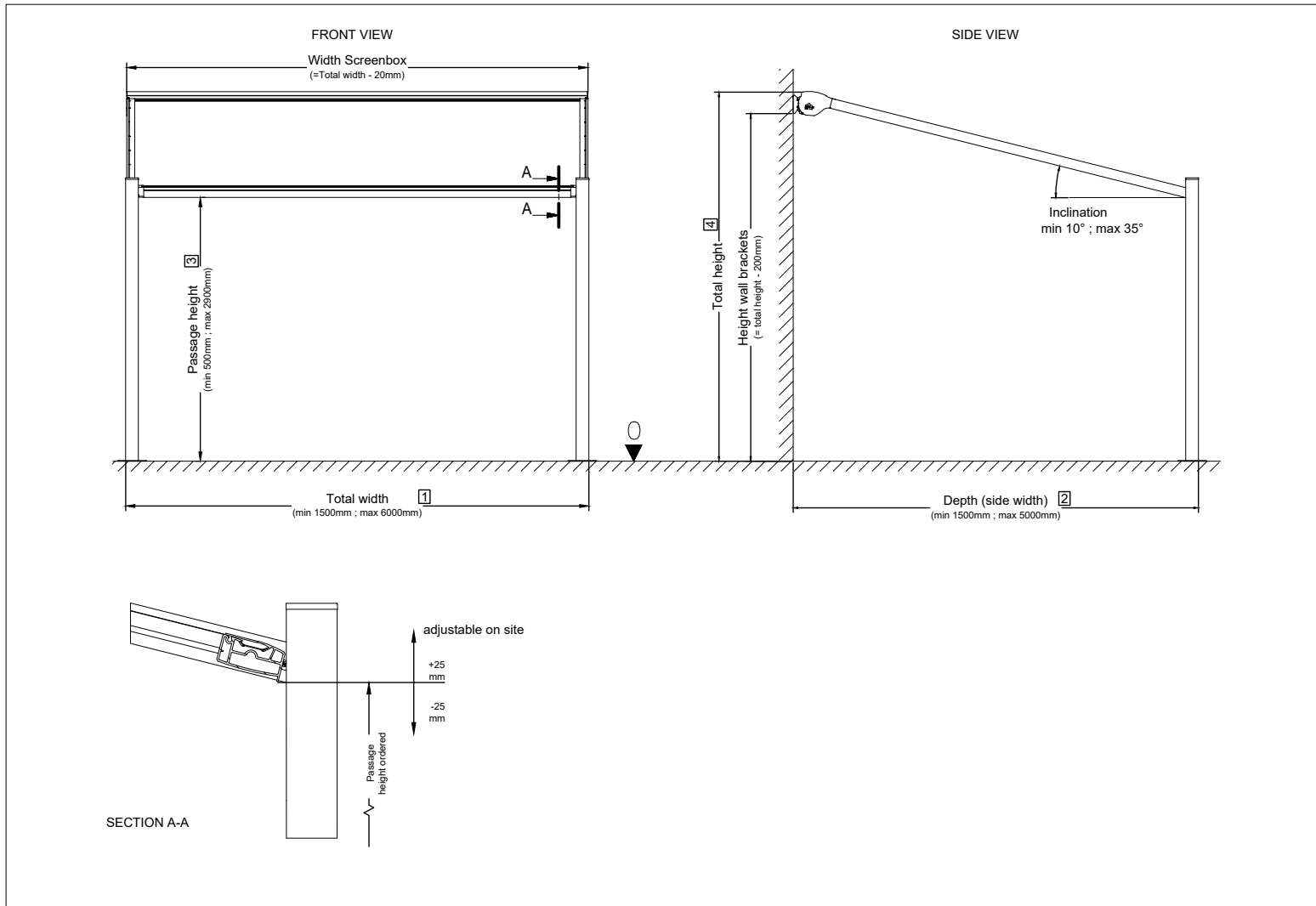
SIDE VIEW



Download this drawing DWG

Download this drawing PDF

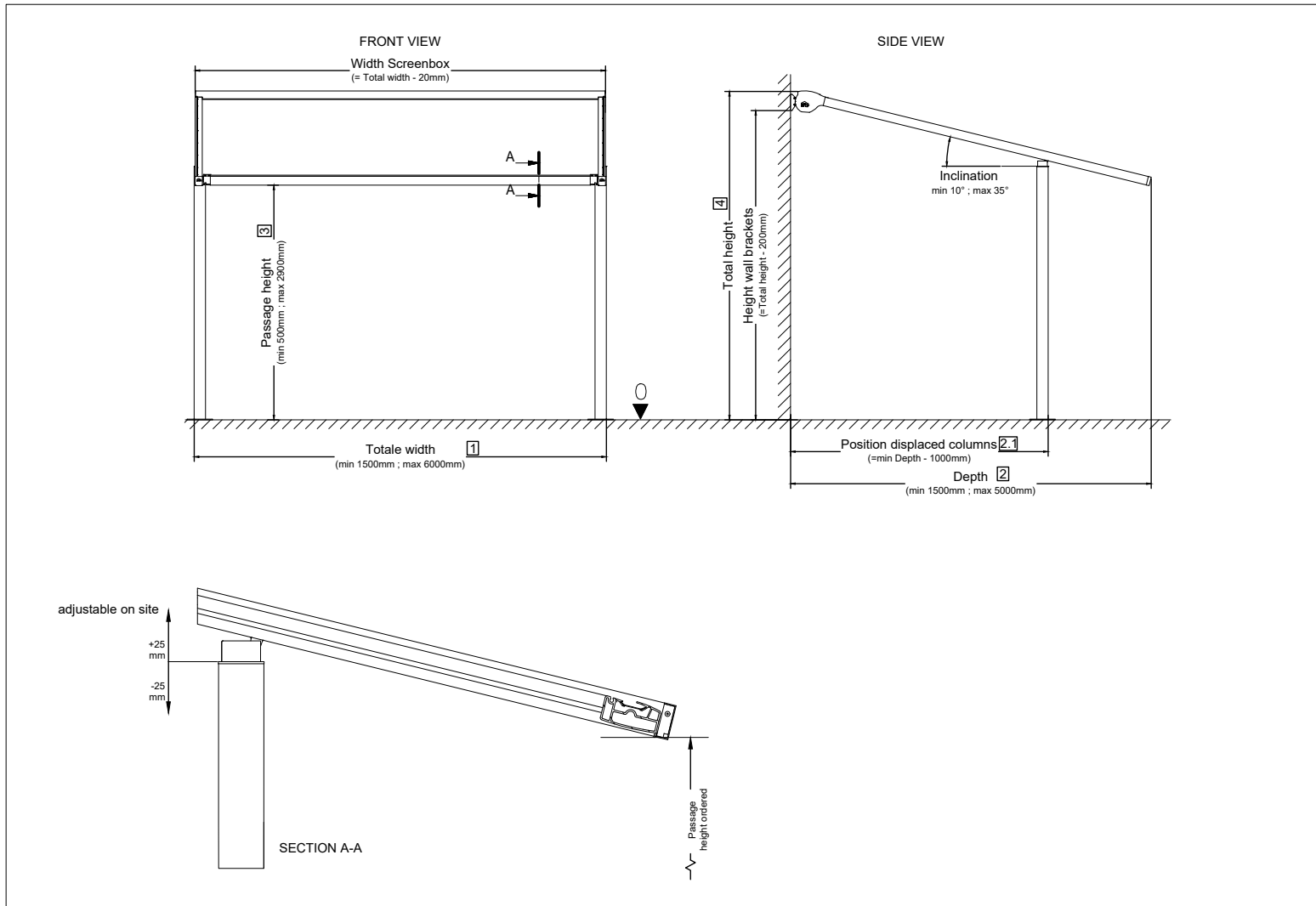
Lasure - DIMENSIONS (3)



Download this
drawing DWG

Download this
drawing PDF

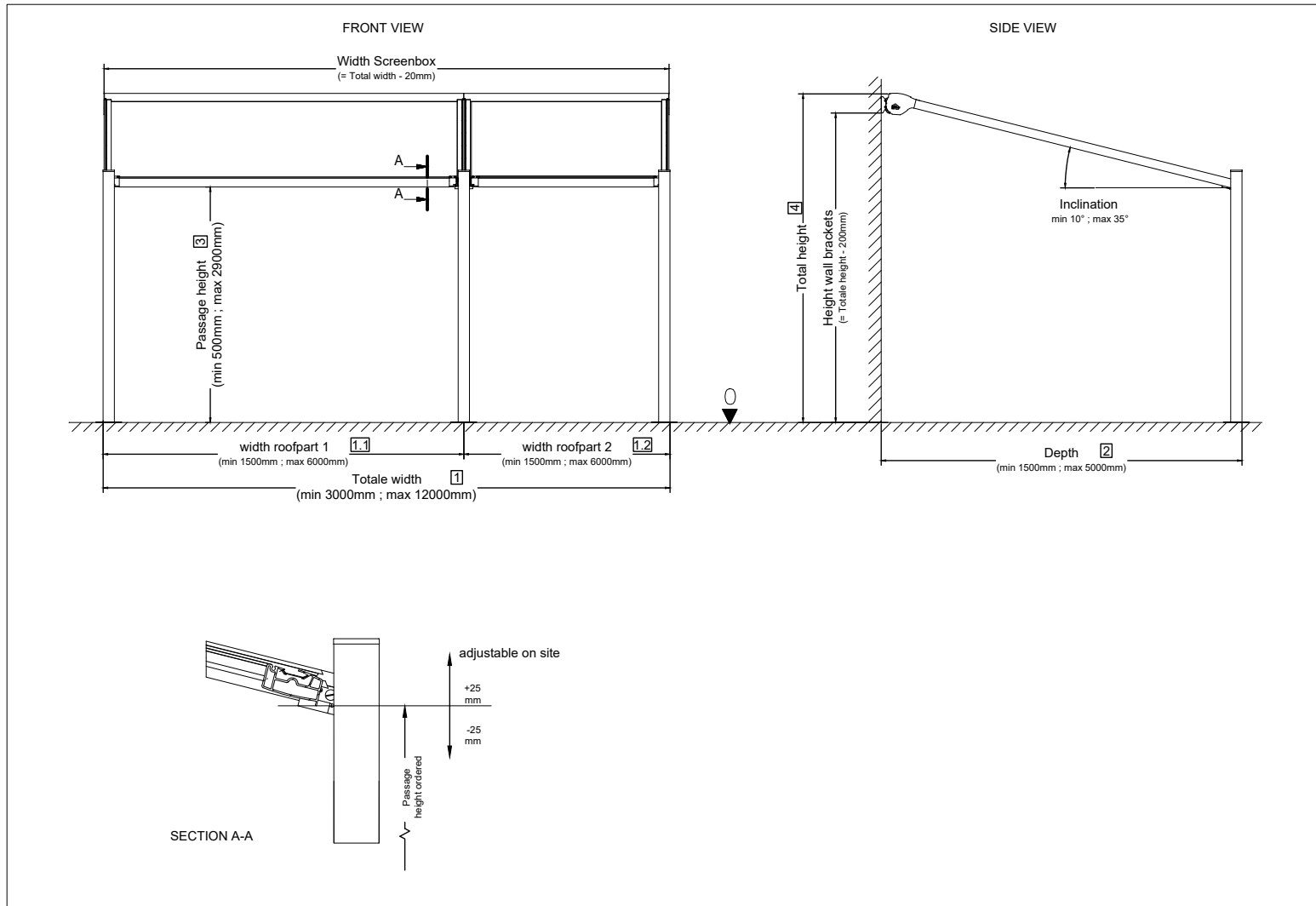
Lasure - DIMENSIONS (4)



Download this
drawing DWG

Download this
drawing PDF

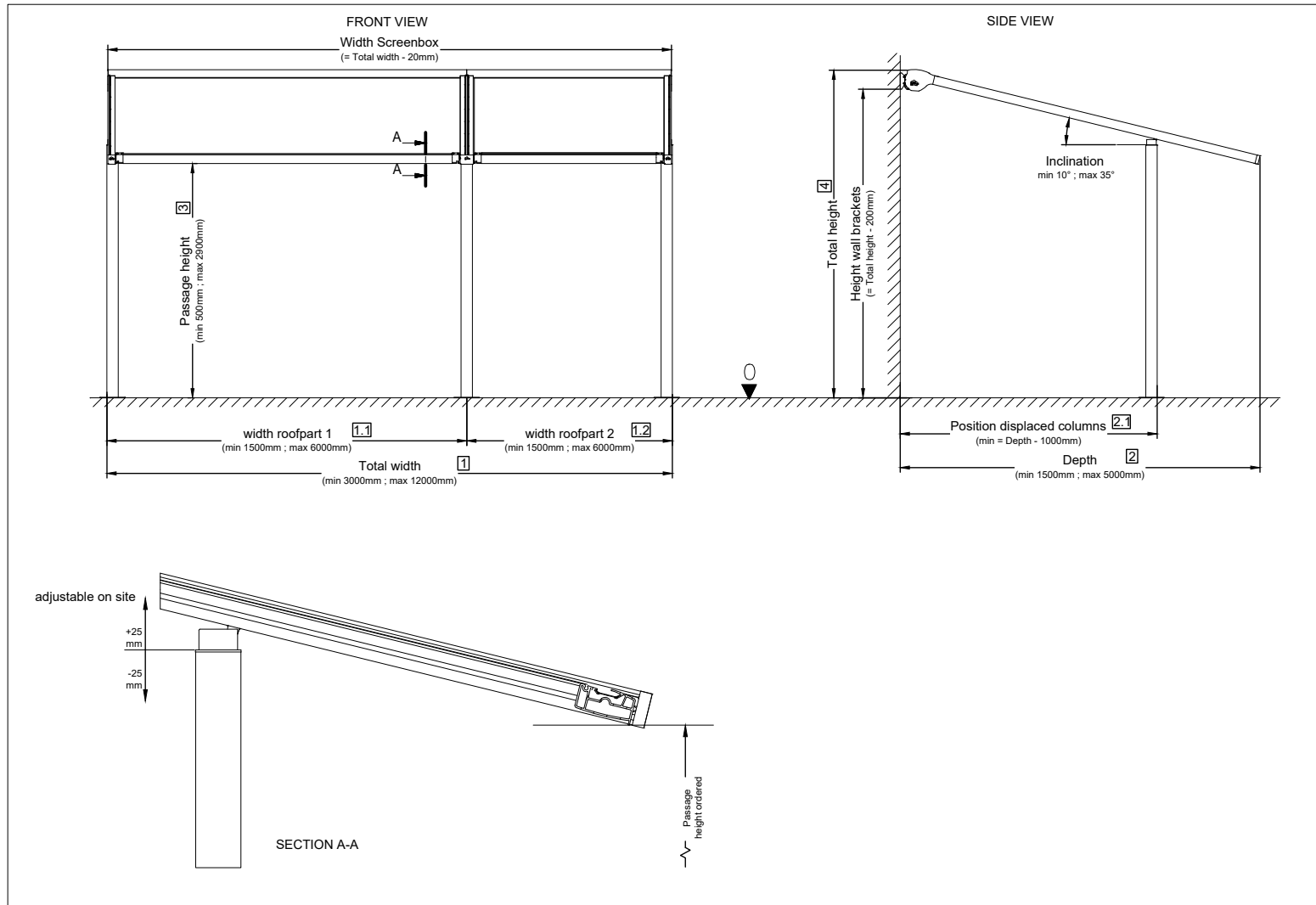
Lapure COUPLED - DIMENSIONS (1)



Download this
drawing DWG

Download this
drawing PDF

Lapure COUPLED - DIMENSIONS (2)

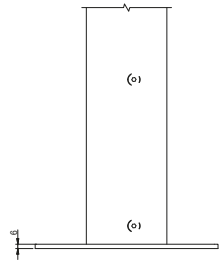


Download this
drawing DWG

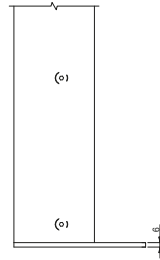
Download this
drawing PDF

Lapure - MOUNTING BASES (1)

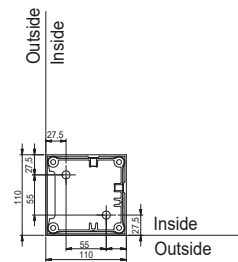
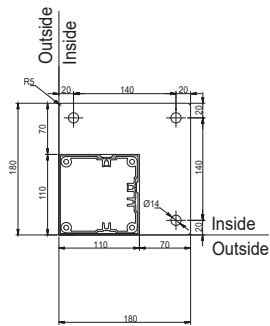
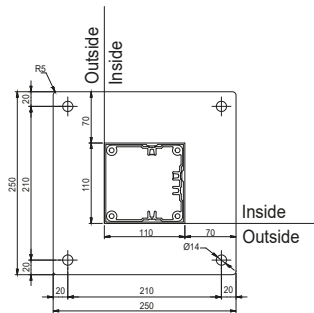
VISIBLE MOUNTING BASE



VISIBLE MOUNTING BASE
(FRONT & SIDE CUT)



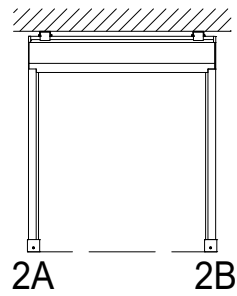
INVISIBLE MOUNTING BASE



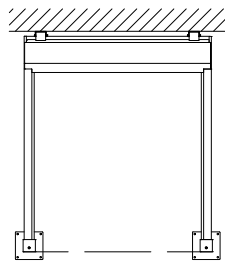
Download this
drawing DWG

Download this
drawing PDF

Lapure - MOUNTING BASES (2)

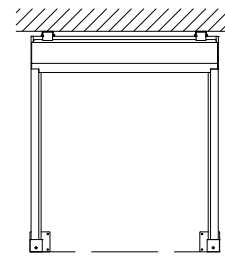


LAPURE SINGLE
WITH INVISIBLE MOUNTING BASES



LAPURE SINGLE
WITH VISIBLE MOUNTING BASES

Or



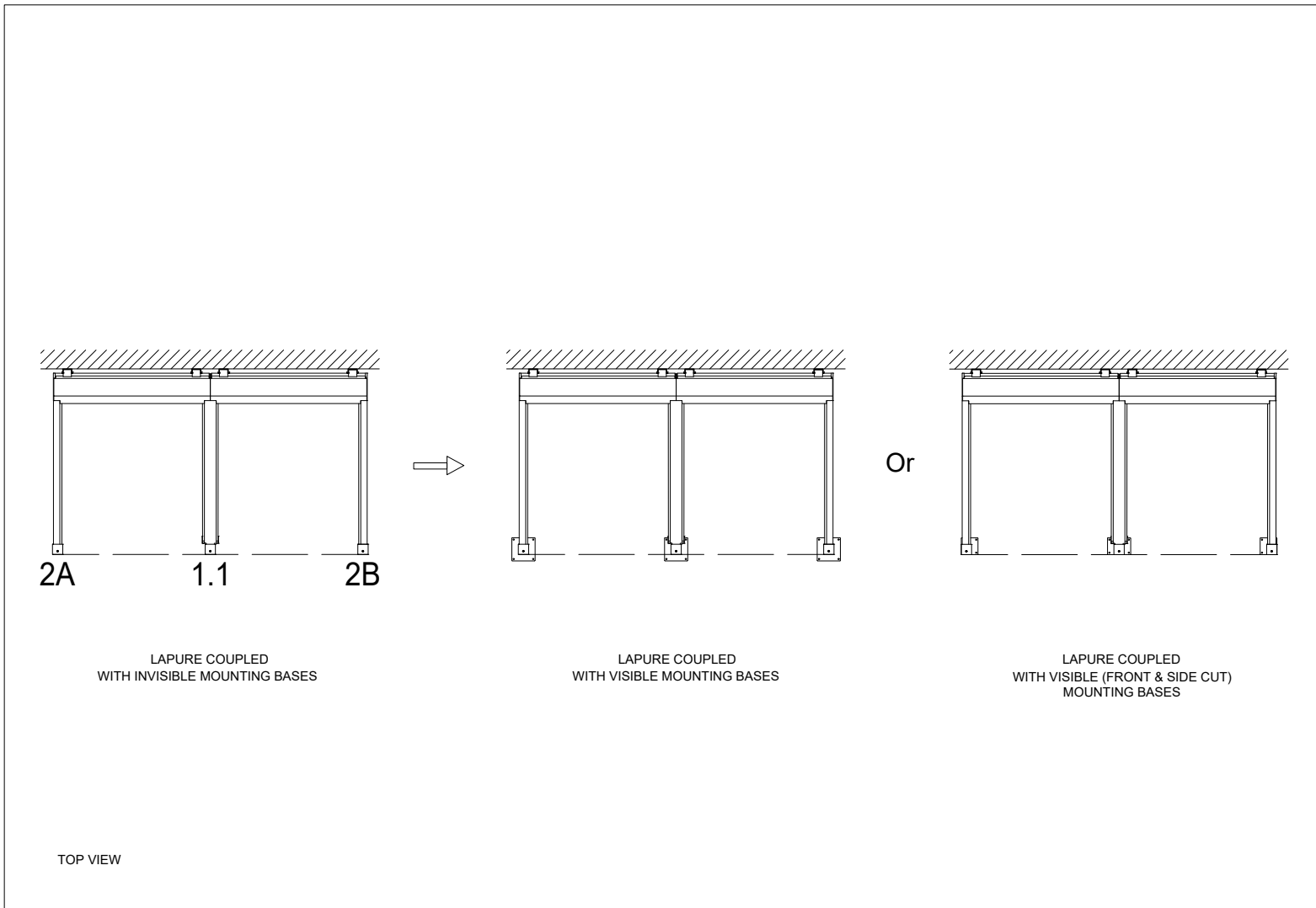
LAPURE SINGLE
WITH VISIBLE (FRONT & SIDE CUT)
MOUNTING BASES

TOP VIEW

Download this
drawing DWG

Download this
drawing PDF

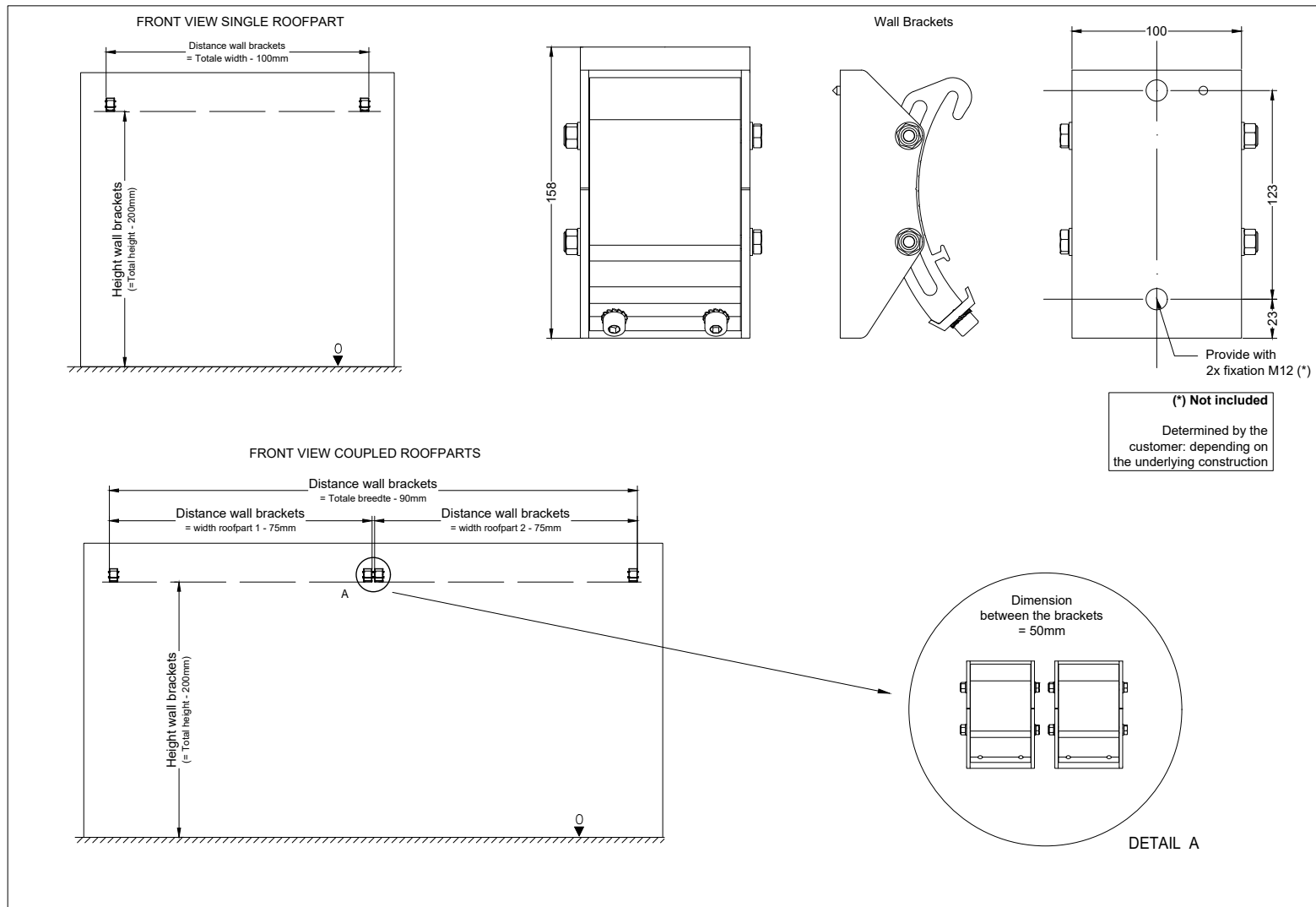
Lapure - MOUNTING BASES (3)



Download this
drawing DWG

Download this
drawing PDF

Lapure - WALL BRACKETS



Download this
drawing DWG

Download this
drawing PDF